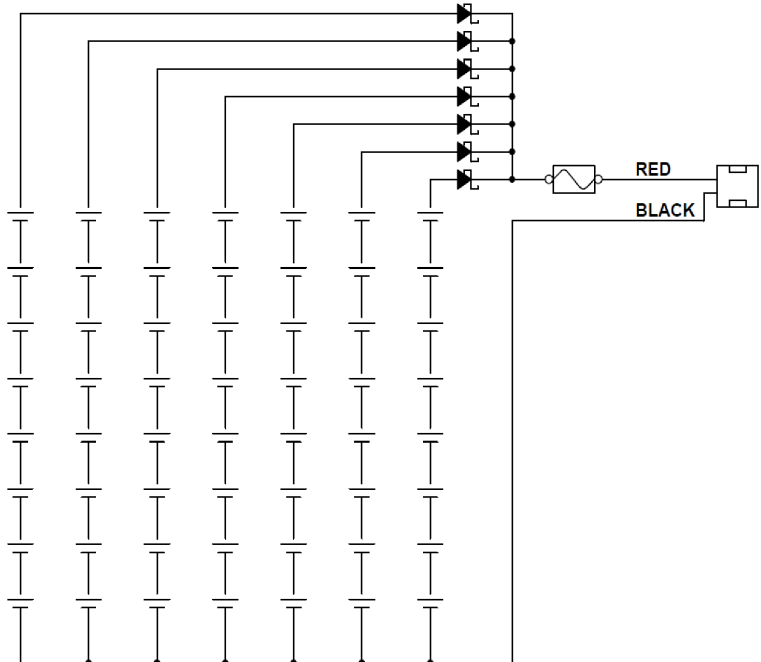
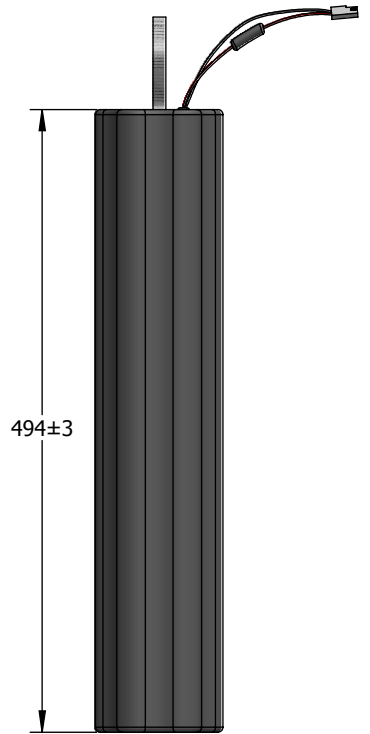
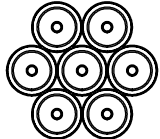
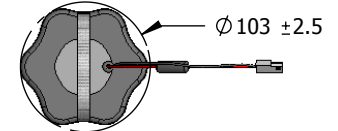
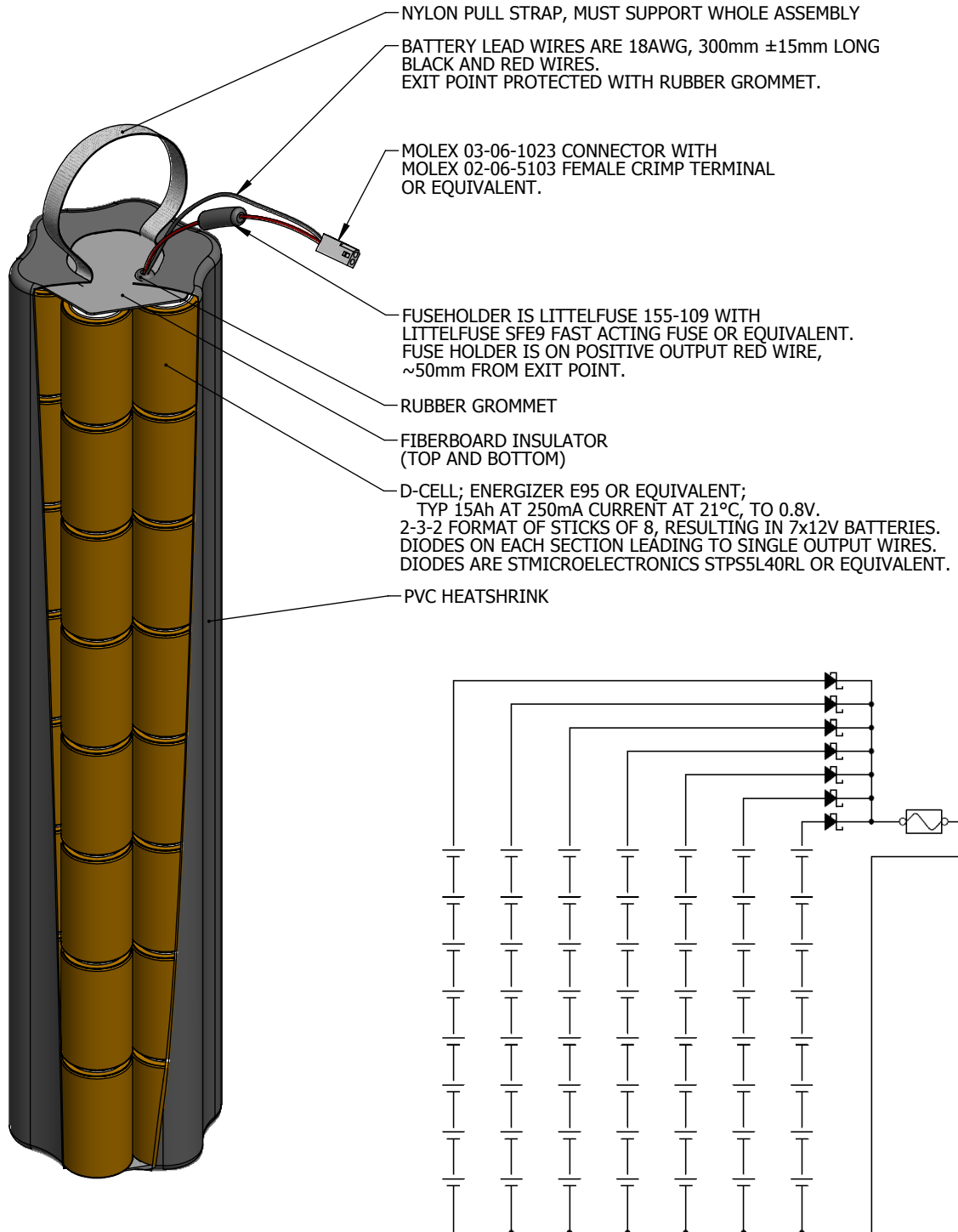


REVISIONS				
REV	DESCRIPTION	DATE	REV BY	APP BY
1	INITIAL RELEASE	JUN 12, 2015	WZ	BB
A	PRODUCTION RELEASE; NO CHANGES.	DEC 14, 2015	WZ	BB



NOTES:
1. DRAWING IS METRIC, DIMENSIONS ARE IN mm. UNLESS OTHERWISE SPECIFIED.

RBR			
<small>This drawing is issued in the strictest confidence and shall not be used for, or as the basis of the manufacture of any product in whole or in part, without the express written consent of RBR Ltd © 2015</small>			
Description: Battery Pack, 12V, 2-3-2, 56 D-Cells, Alkaline			
Material: SEE CALLOUTS			
Finish: PVC SHRINKWRAP			
Dims: mm	Scale: 1:6	Designed By: B.BRITTON	Date: MAY 2015
DO NOT SCALE DRAWING			
Former Part No.			
Size: A	Sheet: 1 OF 1	Part No. 0002364	REV No. A